

SEE 'GENERIC INSTRUCTIONS SHEET'

STAINLESS STEEL MOUNTING STUDS (2) TOTAL (FURNISHED). MARK STUD LOCATIONS, DRILL WALL AND SET WITH WATERPROOF FILLING.

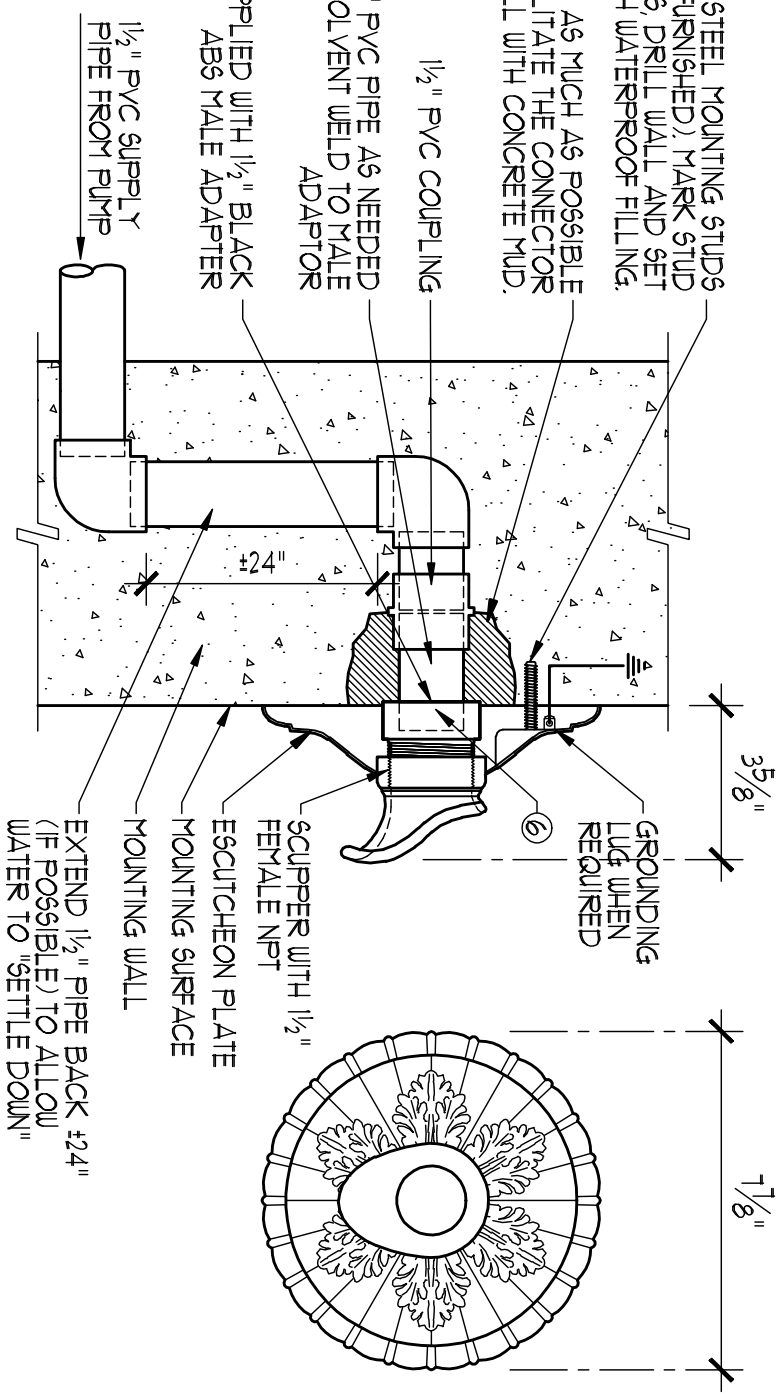
ALLOW AS MUCH AS POSSIBLE TO FACILITATE THE CONNECTOR PIPE. FILL WITH CONCRETE MUD.

1/2" PVC COUPLING

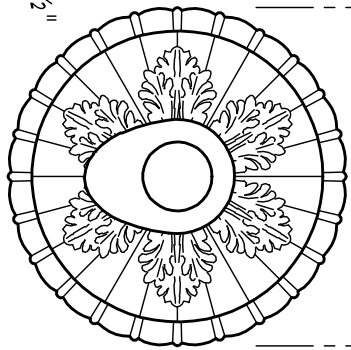
CUT 1/2" PVC PIPE AS NEEDED AND SOLVENT WELD TO MALE ADAPTOR

SUPPLIED WITH 1/2" BLACK ABS MALE ADAPTER

1/2" PVC SUPPLY PIPE FROM PUMP



GROUNDING LUG WHEN REQUIRED



SCUPPER WITH 1/2" FEMALE NPT

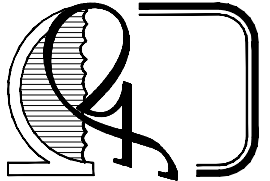
ESCUTCHEON PLATE MOUNTING SURFACE

MOUNTING WALL

EXTEND 1/2" PIPE BACK ±24" (IF POSSIBLE) TO ALLOW WATER TO "SETTLE DOWN"

NOTE: This drawing is only a guide to be used in planning the placement and layout of the spout. When laying out the final location of the plumbing and mounting studs use the exact piece that will be installed.

Detail
no scale



Fountains Unique LLC
23041 Fountains Parkway, #4
Houston, Texas 77058
Phone: (281) 299-1777
Fax: (281) 299-1778

Pompeii scupper
part no. S59
INSTALLATION GUIDE

